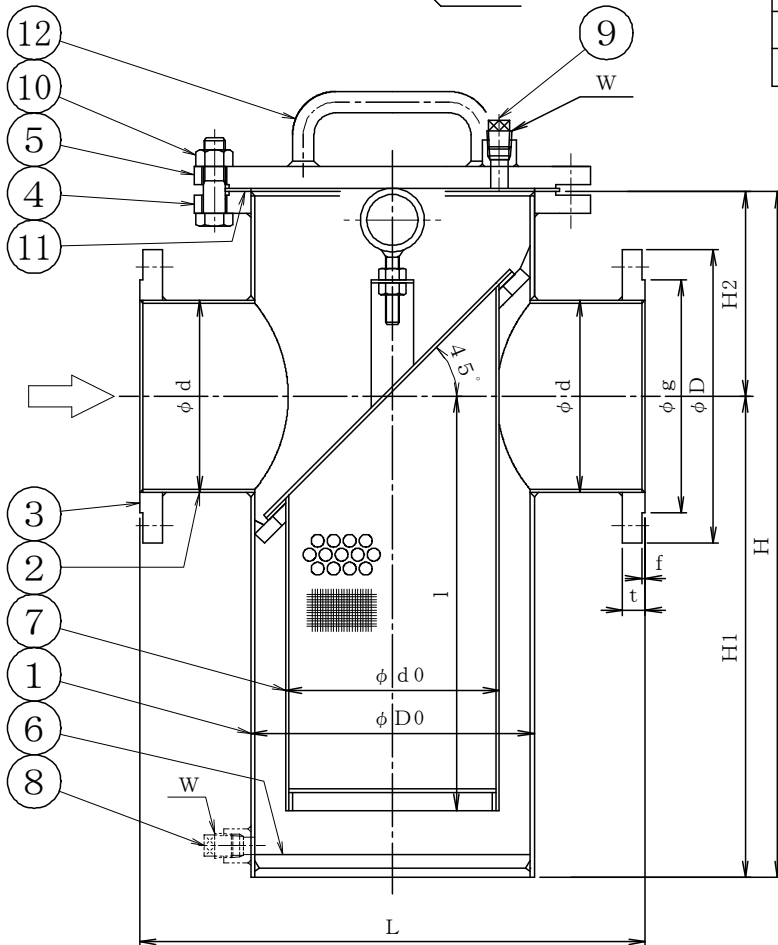
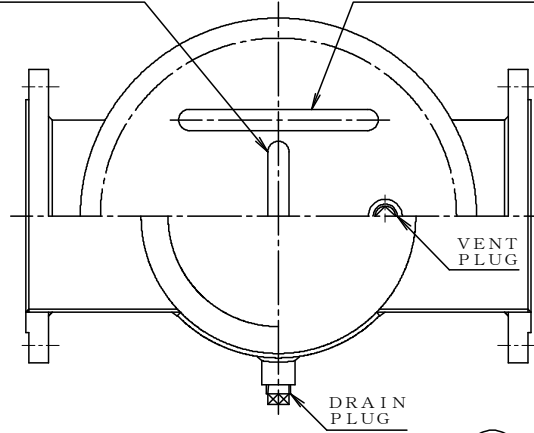


10FUP-04

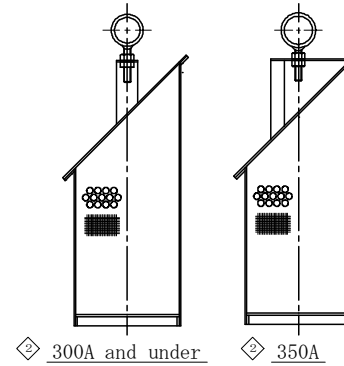
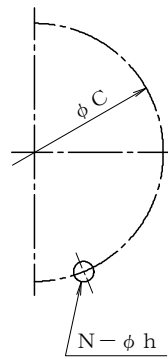
125A and Under 150A and Over



SIZE	d	L	D0	FLANGED								d0	l	H1	H2	H	W
				D	C	g	f	t	N	h							
25	1	34.0	180	89.1	125	90	67	1	14	4	19	45	120	160	100	260	R3/8
32	1 1/4	42.7	200	89.1	135	100	76	2	16	4	19	45	120	160	105	265	R3/8
40	1 1/2	48.6	260	114.3	140	105	81	2	16	4	19	70	130	175	120	295	R1/2
50	2	60.5	260	114.3	155	120	96	2	16	4	19	70	130	175	120	295	R1/2
65	2 1/2	76.3	330	139.8	175	140	116	2	18	4	19	90	170	220	130	350	R1/2
80	3	89.1	340	165.2	185	150	126	2	18	8	19	110	200	260	140	400	R1/2
100	4	114.3	400	216.3	210	175	151	2	18	8	19	140	250	310	160	470	R3/4
125	5	139.8	480	216.3	250	210	182	2	20	8	23	140	320	370	180	550	R3/4
150	6	165.2	500	267.4	280	240	212	2	22	8	23	190	365	430	190	620	R3/4
200	8	216.3	560	318.5	330	290	262	2	22	12	23	240	465	540	230	770	R3/4
250	10	267.4	660	406.4	400	355	324	2	24	12	25	300	570	650	270	920	R3/4
300	12	318.5	750	457.2	445	400	368	3	24	16	25	330	720	860	320	1180	R3/4
350	14	355.6	800	508.0	490	445	413	3	26	16	25	370	870	980	400	1380	R3/4

SCREEN

	MESH
	20 MESH
	40 MESH
	60 MESH
	80 MESH
	100 MESH



No	NAME OF PART	MATERIAL	Q.T.Y	REMARKS
12	COVER HANDLE	SUS304	1 or 2	
11	GASKET	V#N7030N	1	
10	BOLT NUT	SUS304	SET	
9	VENT PLUG	SUS304	1	
8	DRAIN PLUG	SUS304	1	
7	SCREEN	SUS304	1	
6	BOTTOM PLATE	SUS304	1	
5	COVER	SUS304	1	
4	BODY FLANGE	SUS304	1	
3	NOZZLE FLANGE	SUS304	2	
2	NOZZLE PIPE	SUS304	2	
1	BODY PIPE	SUS304	1	

NAME 10K
FLANGED U TYPE STRAINER

FLUID	DESIGN PRESSURE	DESIGN TEMPERATURE	TEST PRESSURE	BODY	SEAT
	1.0 MPaG	150 °C		(HYD) 1.5 MPaG (AIR) MPaG	(HYD) MPaG (AIR) MPaG

DRAWING No MODEL No 10FUP-04

No	DESCRIPTION	DATE	A. P	C. K	D. W
◇	Changed design and gasket type.	OCT. 14, '20	KAIMOTO	KAIMOTO	TAKAHASHI
▽	Changed size of drain and vent plug.	FEB. 22, '08	KAIMOTO	KAIMOTO	HISAKA

DATE	A. P	C. K	D. S	D. W
SEP. 13, 2005	TAKASHIMA	TAKASHIMA	MORITA	KAIMOTO