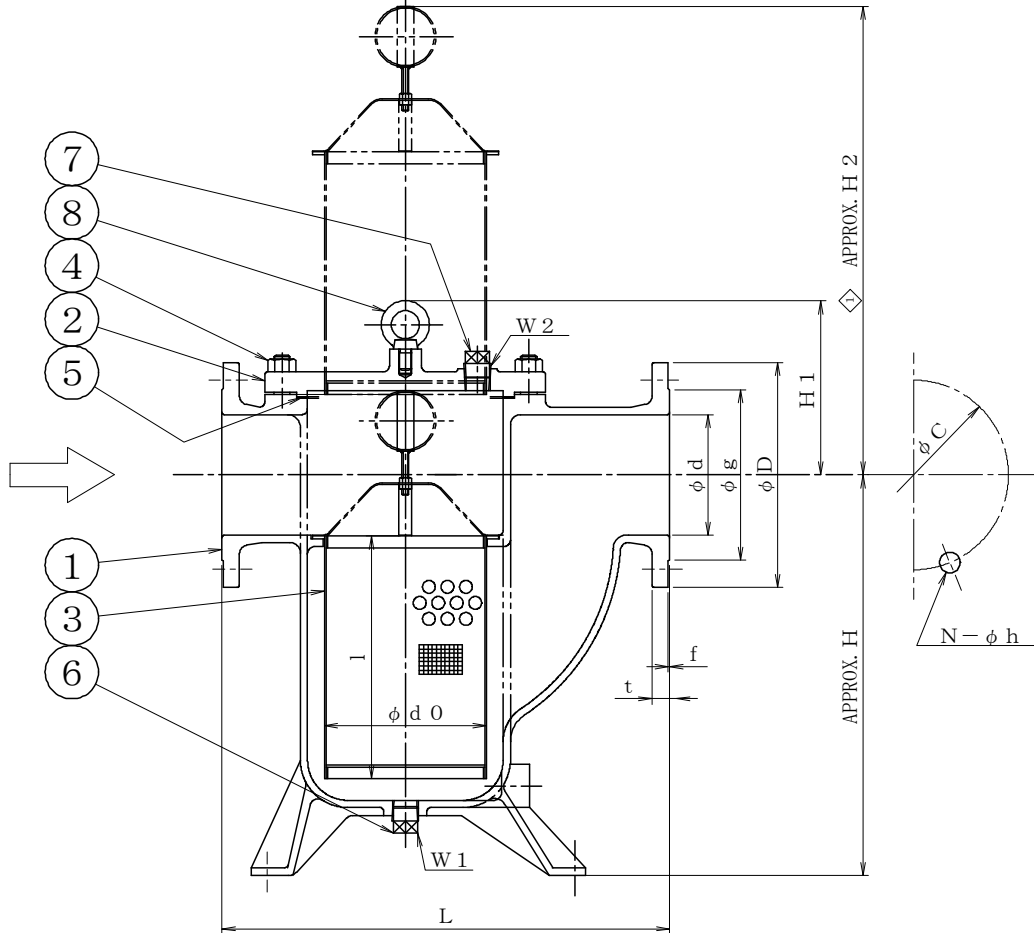


| SIZE | d | L | FLANGED | | | | | | | | d0 | l | H | H1 | H2 | W1 | W2 | WEIGHT Kg | Q' TY |
|------|---|-----|---------|-----|-----|-----|---|----|---|----|-----|-----|-----|-----|-----|----|------|--------------|-------|
| | | | D | C | g | f | t | N | h | | | | | | | | | | |
| 125 | 5 | 125 | 490 | 250 | 210 | 182 | 2 | 20 | 8 | 23 | 162 | 250 | 400 | 204 | 500 | R1 | R1/2 | 75.5 | |
| 150 | 6 | 150 | 560 | 280 | 240 | 212 | 2 | 22 | 8 | 23 | 202 | 300 | 500 | 218 | 590 | R1 | R1/2 | 100.0 | |



SCREEN

| | MESH |
|--|----------|
| | 20 MESH |
| | 40 MESH |
| | 60 MESH |
| | 80 MESH |
| | 100 MESH |

| | | | | |
|----|--------------|------------|-------|---------|
| 8 | EYE BOLT | SUS304 | 1 | |
| 7 | VENT PLUG | SUS316 | 1 | |
| 6 | DRAIN PLUG | SUS316 | 1 | |
| 5 | GASKET | T#9007-G20 | 1 | |
| 4 | BOLT NUT | SUS304 | SET | |
| 3 | SCREEN | SUS316 | 1 | |
| 2 | COVER | SCS14A | 1 | |
| 1 | BODY | SCS14A | 1 | |
| No | NAME OF PART | MATERIAL | Q.T.Y | REMARKS |

NAME 10K
FLANGED U TYPE STRAINER

| FLUID | DESIGN PRESSURE | DESIGN TEMPERATURE | TEST PRESSURE | BODY | |
|-------|-----------------|--------------------|---------------|----------|-------|
| | | | | (HYD) | (AIR) |
| | 1.0 MPaG | 150 °C | | 1.5 MPaG | MPaG |
| | | | | SEAT | |
| | | | | (HYD) | MPaG |
| | | | | (AIR) | MPaG |
| | | | | (HYD) | MPaG |
| | | | | (AIR) | MPaG |

| | | | | |
|---------------|-----------|--------------------|--------|--------|
| DRAWING No | | MODEL No 10FUL-14A | | |
| DATE | A. P | C. K | D. S | D. W |
| MAR. 06, 2019 | TAKAHASHI | TAKAHASHI | MORITA | MORITA |

| No | DESCRIPTION | DATE | A. P | C. K | D. W |
|----|---------------------------|---------------|-----------|-----------|--------|
| 1 | Changed the specification | APR. 24, 2020 | TAKAHASHI | TAKAHASHI | MORITA |

REVISIONS