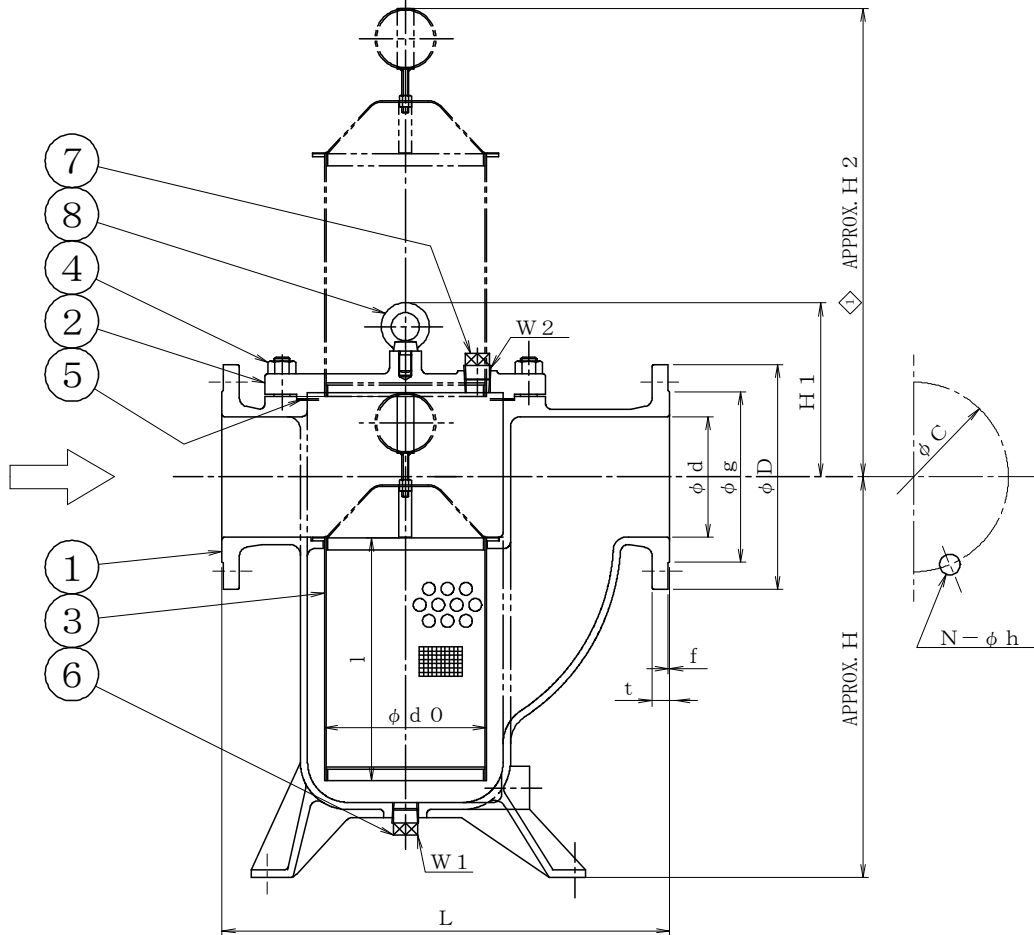
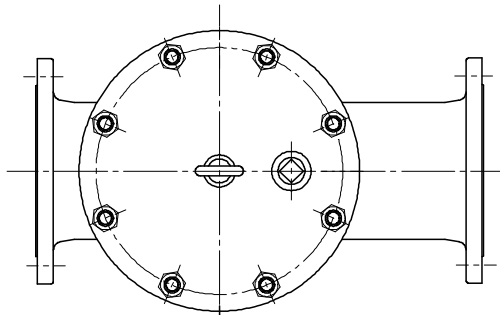


SIZE	d	L	FLANGED								d0	l	H	H1	H2	W1	W2	WEIGHT Kg	Q' TY
			D	C	g	f	t	N	h										
125	5	125	490	250	210	182	2	20	8	23	162	250	400	204	500	R1	R1/2	75.5	
150	6	150	560	280	240	212	2	22	8	23	202	300	500	218	590	R1	R1/2	100.0	



SCREEN

	MESH
	20 MESH
	40 MESH
	60 MESH
	80 MESH
	100 MESH

8	EYE BOLT	SUS304	1	
7	VENT PLUG	SUS304	1	
6	DRAIN PLUG	SUS304	1	
5	GASKET	T#9007-G20	1	
4	BOLT NUT	SUS304	SET	
3	SCREEN	SUS304	1	
2	COVER	SCS13A	1	
1	BODY	SCS13A	1	
No	NAME OF PART	MATERIAL	Q.T.Y	REMARKS

NAME 10K
FLANGED U TYPE STRAINER

FLUID		TEST PRESSURE	BODY	(HYD) 1.5 MPaG
			SEAT	(AIR) MPaG
DESIGN PRESSURE	1.0 MPaG			(HYD) MPaG
DESIGN TEMPERATURE	150 °C			(AIR) MPaG

DRAWING No			MODEL No 10FUL-13A	
DATE	A. P	C. K	D. S	D. W
SEP. 12, 2014	MORITA	MORITA	MORITA	HISAKA

No	DESCRIPTION	DATE	A. P	C. K	D. W
◇	Changed the specification	APR. 23, 2020	TAKAHASHI	TAKAHASHI	MORITA

REVISIONS